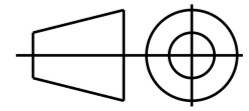




PART	TYPE	MATERIAL	COLOR / COATING
LINNEA-2R-0	LENS	PMMA/PC	CLEAR

MECHANICAL DRAWING		FIRST ANGLE PROJECTION:		This drawing is the property of LEDiL Oy. It may not be copied or otherwise distributed without prior written permission from LEDiL Oy.
PRODUCT	SCALE			
LINNEA-2R-0	1:1	-	A2	SHEET 1/1

Notes

	PCB or heatsink level.
	LED location
	Ensure LED fitting from a product specific 3D model available from www.ledil.com
	For more details about installation please see LEDiL Installation Guide on www.ledil.com

LEDiL[®]